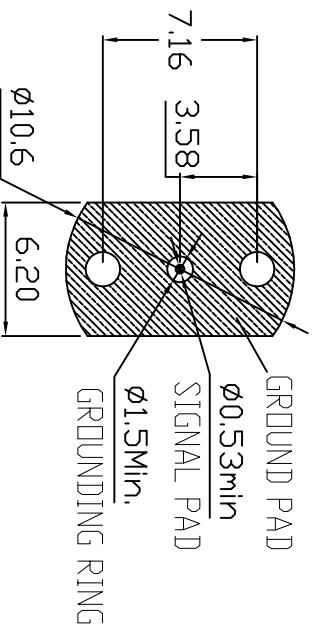


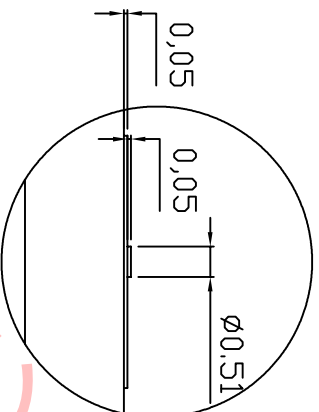
OUTLINE DRAWING:

RECOMMENDED PCB LAYOUT



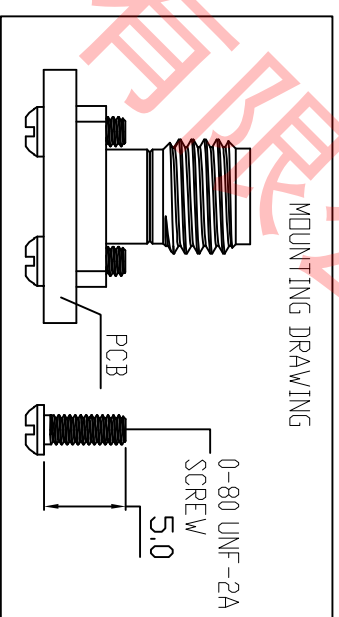
Above Pcb layout is for reference only, the trace impedance depends on pcb material, stackup, customised trace and so on. It is necessary to make a SI analysis before use this pcb layout

DETAIL A

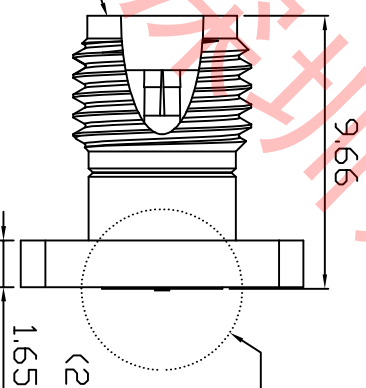


REV	DESCRIPTION	DRAWN BY	APPROVED BY	DATE
A	FIRST ISSUES	FAN	Matthew	04-07-2021

MOUNTING DRAWING

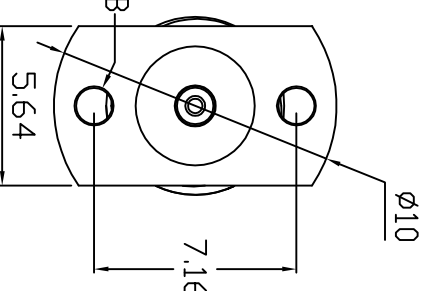


2.92mm JACK INTERFACE



DETAIL A

(2X)0-80UNF-2B THREAD



- NOTE:
1. IMPEDANCE: 50OHM
 2. FREQUENCY RANGE: DC~40GHZ
 3. VSWR: 1.5max
 4. INSERTION LOSS: 0.05xsqrt(f IN GHZ))
 5. D.V.V: 500 VRMS MIN
 6. OPERATING TEMP: -40~+155°C

BODY	STAINLESS STEEL	PASSIVATED
DIELECTRIC	ULTEM	NATURAL
CENTER CONTACT	BECCU	GOLD
DESCRIPTION	MATERIAL	FINISH

DIMENSION:	MM	SERIES:	2.92MM	CABLE:	N/A
General tolerance Unless Otherwise specified		PRODUCT Spec:	ASSEMBLY INSTR		
0 Plance:	±0.2	DRAWN:	FAN	04-07-2021	
1 Plance:	±0.2	CHECKED:	FAN	04-07-2021	
2 Plance:	±0.2	APPROVED:	Matthew	05-07-2021	
Angles:		PART NUM: S102920059022			

DesignCon

Title: 2.92MM JACK,HOLE FLANGE
0-80THERAD,0.8~2.4MM BDRAD

DRAWING NUM: 292022

SCALE: 5:1

PAGE: 1/1