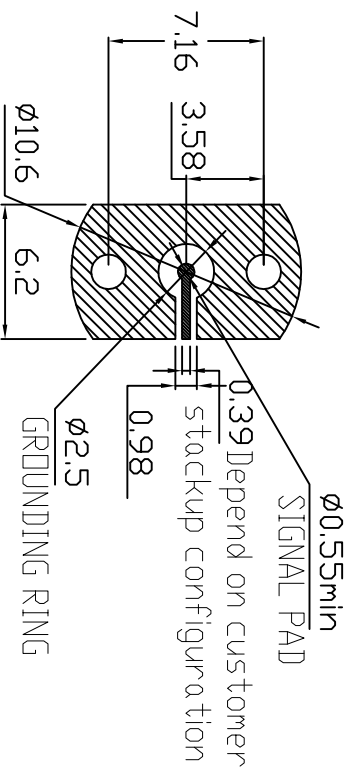


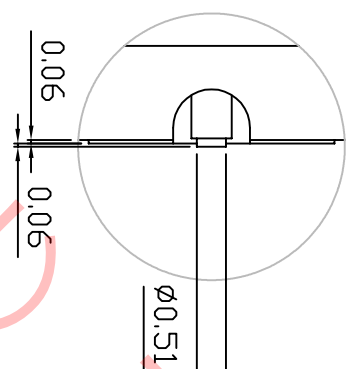
OUTLINE DRAWING:

RECOMMENDED PCB LAYOUT

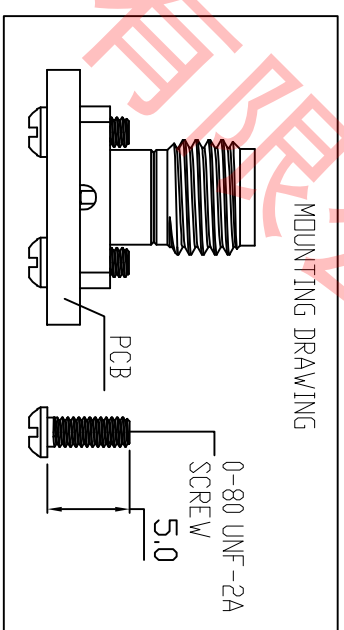


Above Pcb layout is for preference only, the trace impedance depends on pcb material, stackup, customised trace and so on. It is necessary to make a SI analysis before use this pcb layout

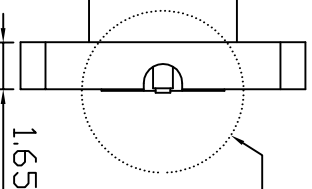
DETAIL A



MOUNTING DRAWING

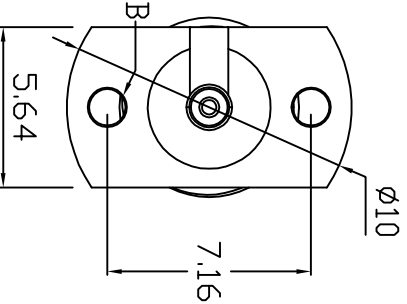


2.92mm JACK
INTERFACE



DETAIL A

<2X>0-80UNF-2B
THREAD



- NOTE:
1. IMPEDANCE: 50OHM
 2. FREQUENCY RANGE: DC~40GHZ
 3. VSWR: 1.5max
 4. INSERTION LOSS: 0.05xsqrt(F IN GHZ))
 5. D.V.V: 500 VRMS MIN
 6. OPERATING TEMP: -40~+155°C

BODY	STAINLESS STEEL	PASSIVATED
DIELECTRIC	UL TEM	NATURAL
CENTER CONTACT	BECCU	GOLD
DESCRIPTION	MATERIAL	FINISH

DIMENSION:	MM	SERIES:	2.92MM	CABLE:	N/A
General tolerance Unless otherwise specified		PRODUCT Spec:	ASSEMBLY INSTR		
0 Plance: ±0.2		DRAWN:	FAN	28-07-2021	
1 Plance: ±0.2		CHECKED:	FAN	28-07-2021	
2 Plance: ±0.2		APPROVED:	Matthew	28-07-2021	
Angles:					

DesignCon

Title: 2.92MM Microstrip JACK,SHOLE
FLANGE 0-80THERAD,0.8~2.4MM BORDAD

PART NUM: S102920059021

DRAWING NUM: 292021

SCALE: N/A

PAGE: 1/1