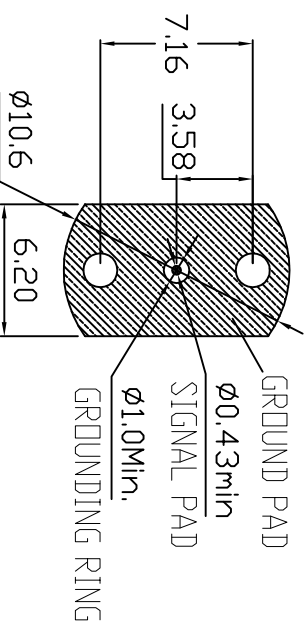
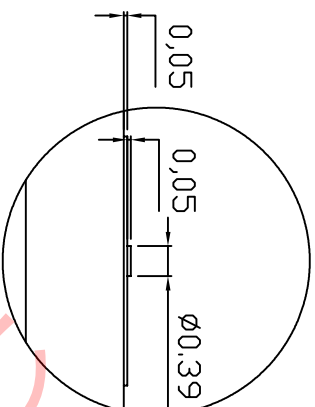


# OUTLINE DRAWING:

## RECOMMENDED PCB LAYOUT

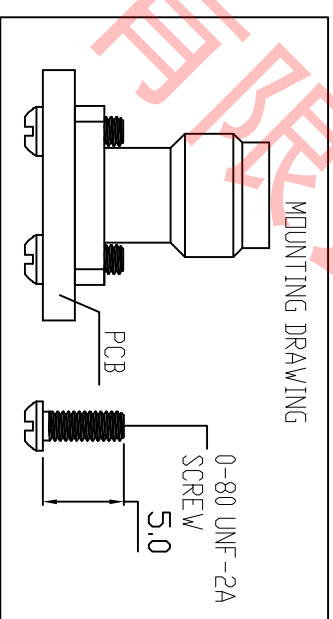


## DETAIL A

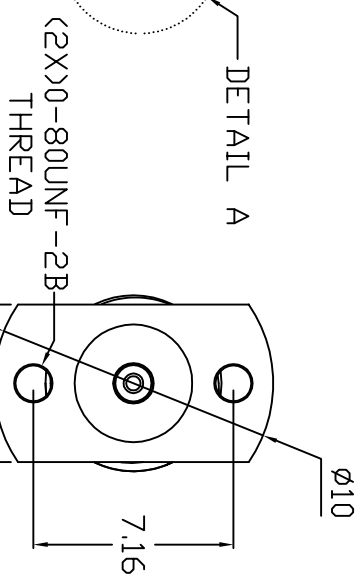
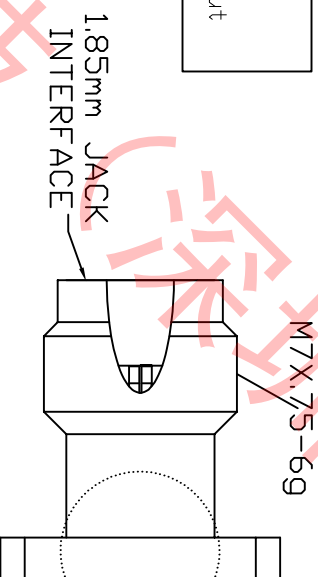


REV	DESCRIPTION	DRAWN BY	APPROVED BY	DATE
A	FIRST ISSUES	FAN	Matthew	24-11-2021

## MOUNTING DRAWING



Above Pcb layout is for referance only, the trace impedance depends on pcb material,stackup,customised trace and so on. It is necessary to make a SI analysis before use this pcb layout



- NOTE:
- 1.IMPEDANCE: 50OHM
  - 2.FREQUENCY RANGE: DC~67GHZ
  - 3.VSWR: 1.5max
  - 4.INSERTION LOSS: 0.05xsqr((F/F IN GHz))
  - 5.DWV: 500 VRMS MIN
  - 6.OPERATING TEMP: -40~+155°C

BODY	STAINLESS STEEL	PASSIVATED
DIELECTRIC	ULTEM	NATURAL
CENTER CONTACT	BECCU	GOLD
DESCRIPTION	MATERIAL	FINISH

DIMENSION:	MM	SERIES:	1.85MM	CABLE:	N/A
General tolerance Unless Otherwise specified					
PRODUCT Spec	ASSEMBLY INSTR	DRAWN:	FAN	24-11-2021	
CHECKED:	FAN	24-11-2021			
APPROVED:	Matthew	25-11-2021			
PART NUM:			S101850059011		
DRAWING NUM:			185011		
Title: DSK-1.85mm-5tripline-jack 0.8*2.4MM BDRAD					

# DesignCon

CUSTOMER DRAWING	
SCALE:	10:1
REMARK:	N/A
PAGE:	1/1