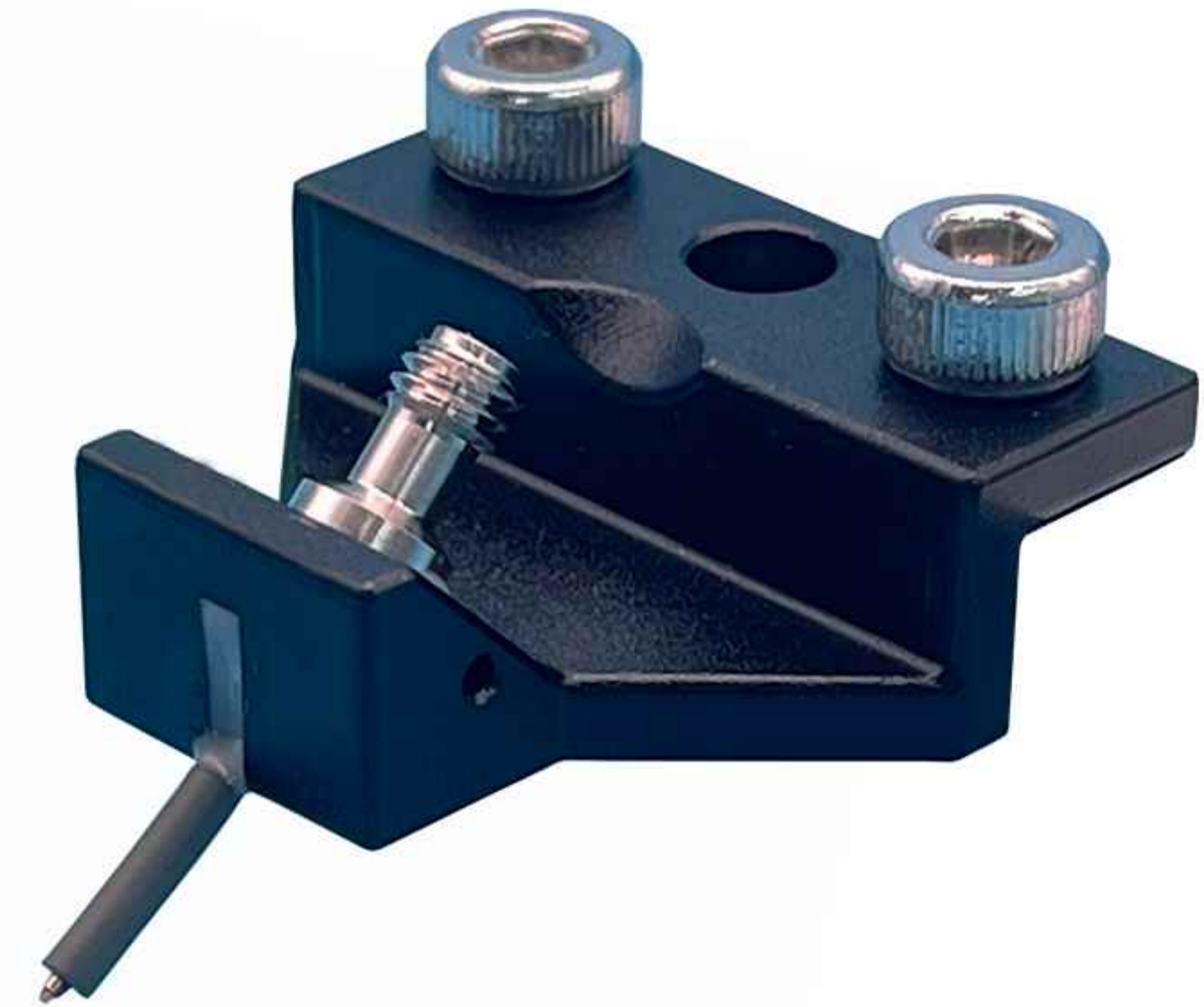


110GHz Probe Model: DSK-F110-GS-150-DF

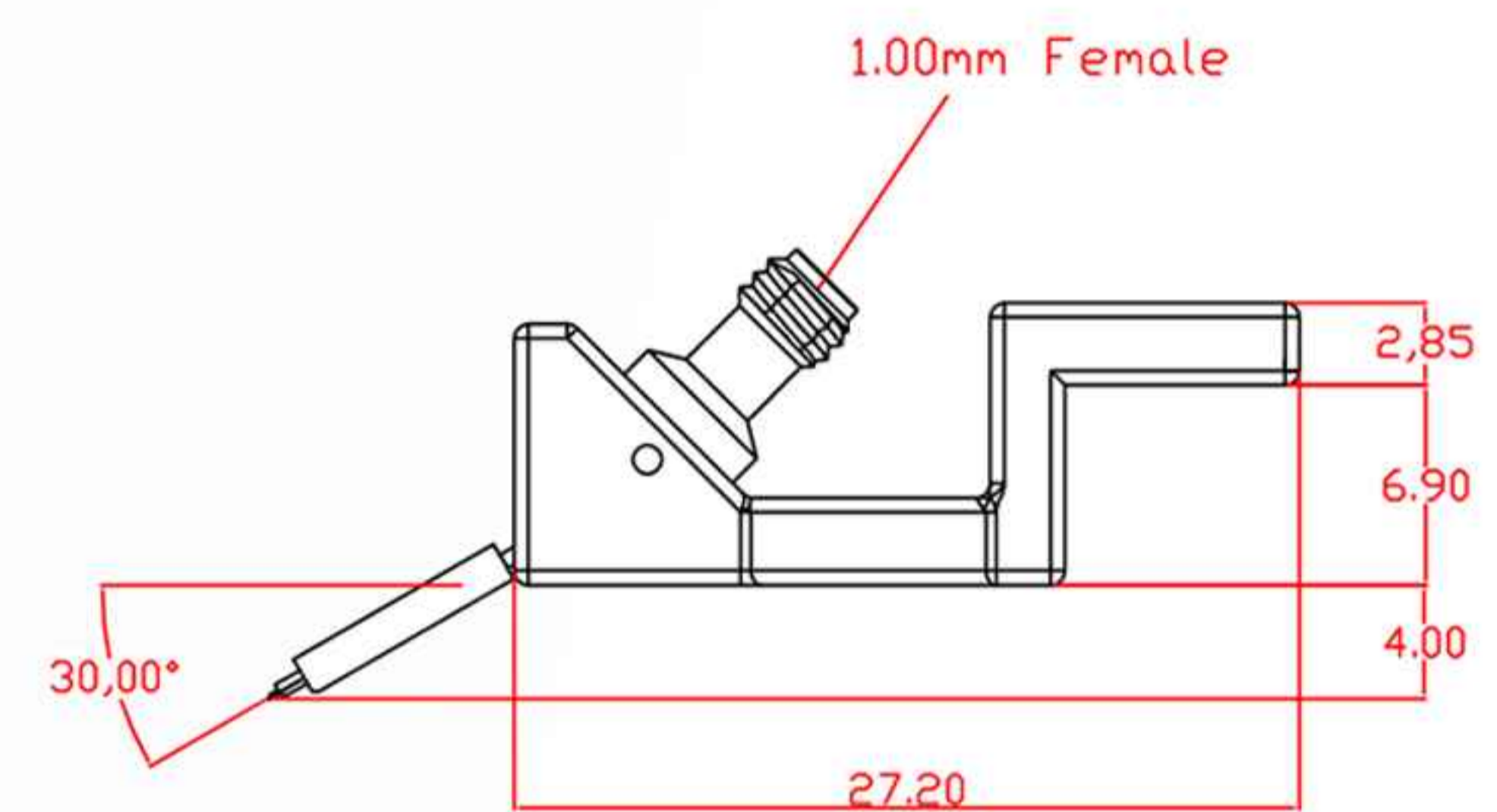
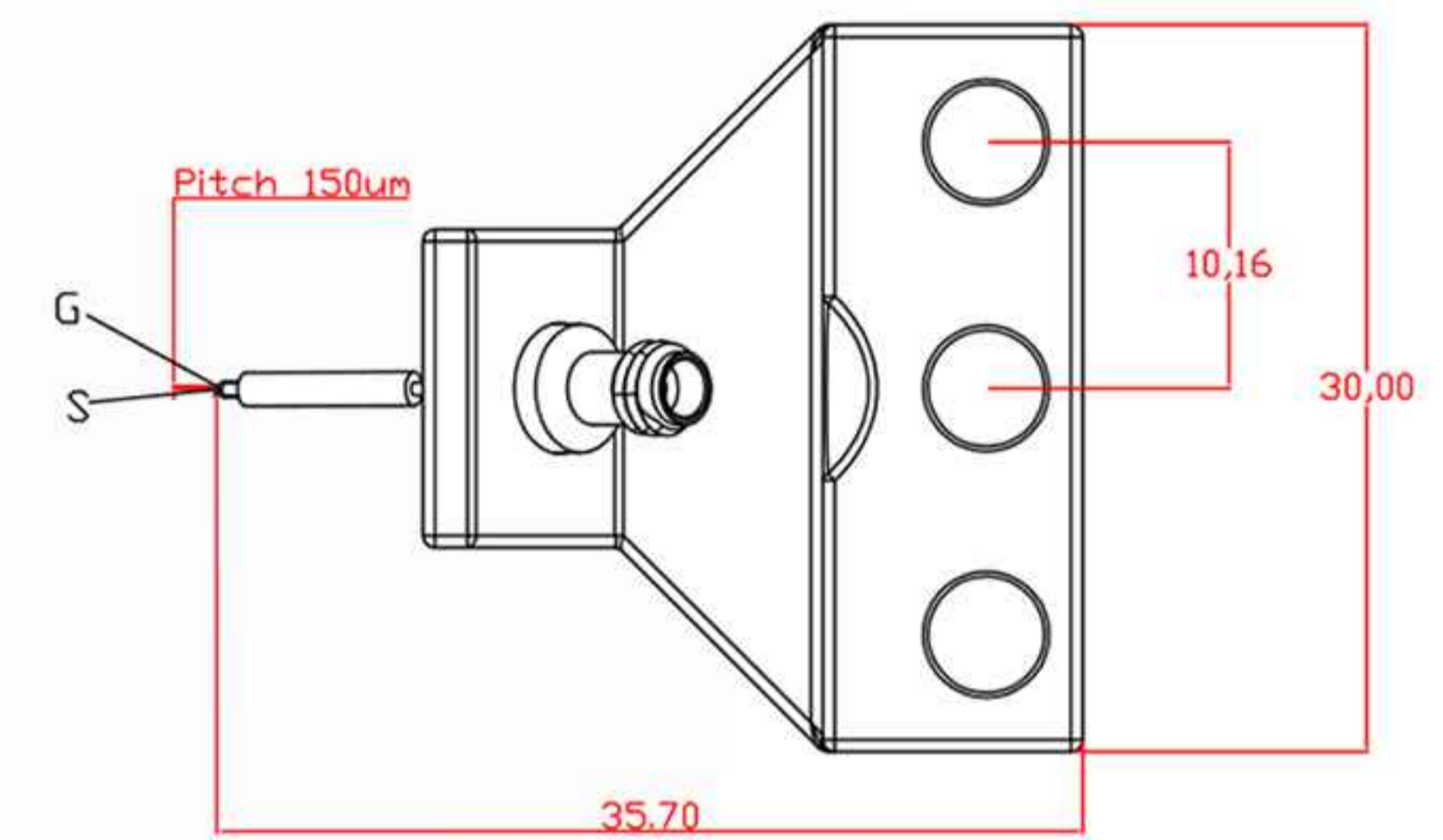
Typical Electrical Characteristics

Frequency range	DC-110GHz
Insertion loss	Spec:<4.0dB
Return loss	Spec:>12dB
Impedance	50Ω
DC current	≤1A
DC voltage	≤100V
RF power	≤5w



Mechanical Characteristics

Connector	1.00mm Female
Tip configurations	GS/SG
Connector angle	45-degree
Pitch range	40um-1250um
Standard pitch step	25um
Tip size:	
from 100 μm to 250 μm	10um
from 300 μm to 1250 μm	10um



Typical Electrical Characteristics: 110 GHz GS probe, 150 micron pitch

